

Jaguar and Rover Triumph
Parts and Accessories
BRITISH LEYLAND UK LIMITED
Fletchamstead Highway
Coventry, CV4 9DB
England

FITTING INSTRUCTION NO 608155

ISSUE 1

JULY 1972

NOTE

The Manufacturers reserve the right to vary their specifications with or without notice, and at such times and in such manner as they think fit. Major as well as minor changes may be involved in accordance with the Manufacturer's policy of constant product improvement.

Whilst every effort is made to ensure the accuracy of the particulars contained in this Fitting Instruction, neither the Manufacturers nor the Distributor or Dealer by whom this Fitting Instruction is supplied, shall in any circumstances be held liable for any inaccuracy or the consequences thereof.

SUBJECT:

FITTING RAISED AIR CLEANER KIT

MODELS:

Land-Rover Series III 2½ litre Petrol and Diesel
88 and 109 inch, and 2.6 litre Petrol 109 inch.

**BRIEF
DESCRIPTION:**

The raised air intake kit includes an extension pipe and centrifugal air cleaner which lifts the air intake for the engine to the level of the vehicle roof, and is intended for use in extreme dusty conditions.

**PARTS
REQUIRED:**

RAISED AIR INTAKE KIT

2½ litre Petrol and Diesel, 88 and 109 inch 1 608156
2.6 litre Petrol, 109 inch 1 608154

comprising:

<u>Description</u>	<u>Qty</u>	<u>Part No</u>
Air cleaner	1	595006) 2½
Packing piece for air cleaner	1	509510) litre
Air cleaner	1	564864) 2.6
) litre
Centrifugal air cleaner	1	509483
Seal) Air cleaner to	1	276426
Clip) air intake pipe	2	271870
Air intake pipe	1	595003
Hose, air intake pipe to bonnet pipe	1	517903
Clip, hose to air intake pipe and bonnet pipe	2	271870
Air intake pipe for bonnet	1	595140

<u>Description</u>	<u>Qty</u>	<u>Part No</u>
Bolt (¼" UNF x ½" long))	3	255206
Plain washer) Air intake	6	3931
Spring washer) pipe to bonnet	3	3074
Nut (¼" UNF))	3	254810
Rivnut (¼" UNF)) Bracket to	2	514929
Screw (¼" UNF x ½" long)) windscreen	2	255204
Spring washer) pillar	2	3074
Collapsible hose, bonnet pipe to elbow	1	595007) 2½
Air intake elbow	1	595005) litre
Seal) Elbow to	1	276426)
Clip) air cleaner	4	271870)
Hose, bonnet pipe to air cleaner	1	598718) 2.6
Clip fixing hose to pipes	2	271870) litre
Bolt (5/16" UNF x 7/16" long)) Fixing air	1	255222
Spring washer) intake pipe	1	3075
) to windscreen
) hinge pillar
Clip	1	517502)
Bolt (¼" UNF x 9/16" long)) Fixing	1	255205) 2.6
Plain washer) air cleaner	1	2215) litre
Spring washer) hose to	1	3074)
Nut (¼" UNF)) wing valance	1	254810)

PROCEDURE:

1. Disconnect the bonnet prop rod and remove the bonnet.
2. Disconnect the hose from the oil bath air cleaner, remove the air cleaner and discard.
3. Fill the new oil bath air cleaner with engine oil to the oil level mark indicated on the cleaner.
4. 2½ litre models: Place the packing piece 509510 in the base of the air cleaner support and fit new air cleaner 595006.

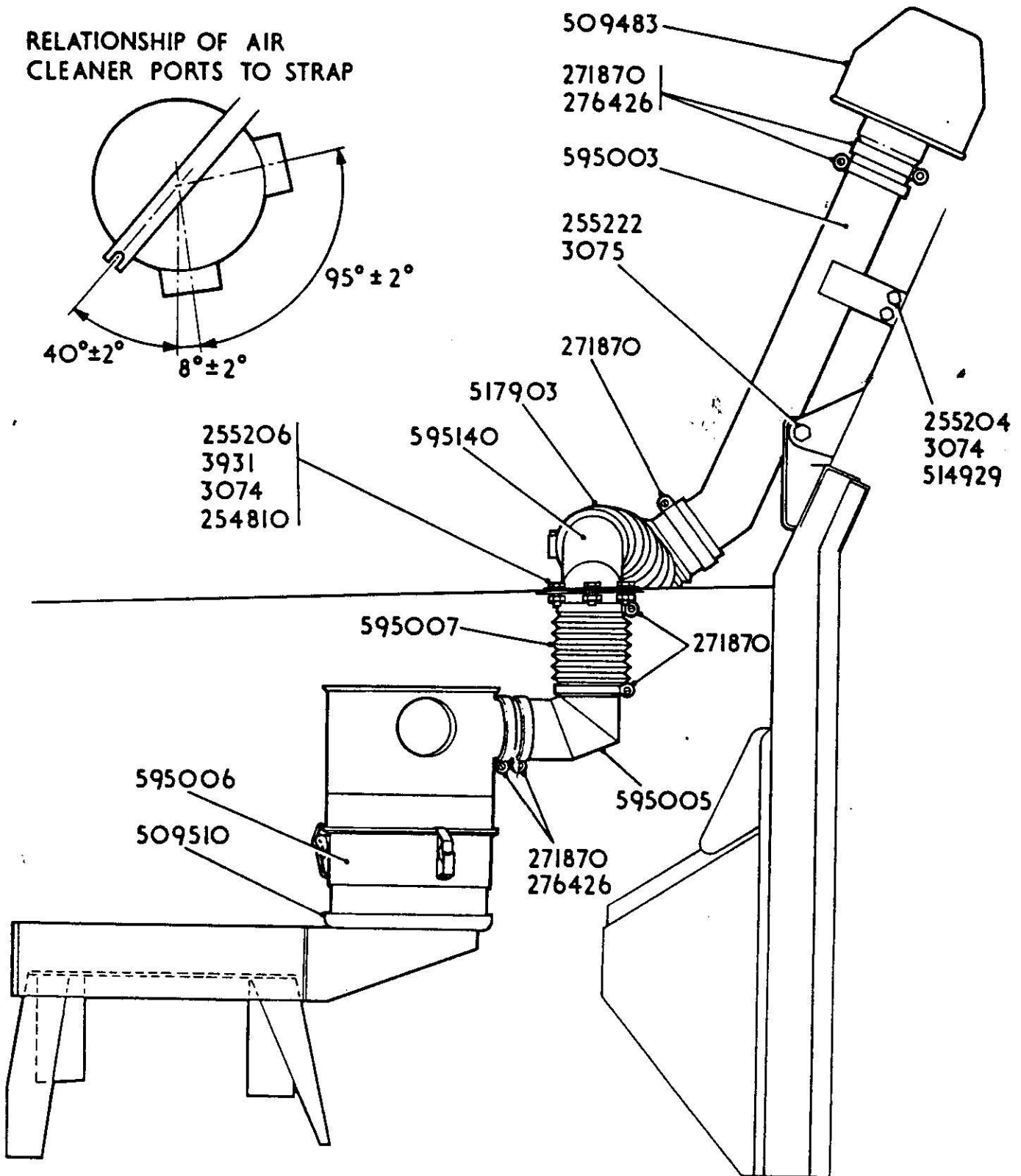


Fig.1. General arrangement of raised air intake -

2 1/2 litre models.

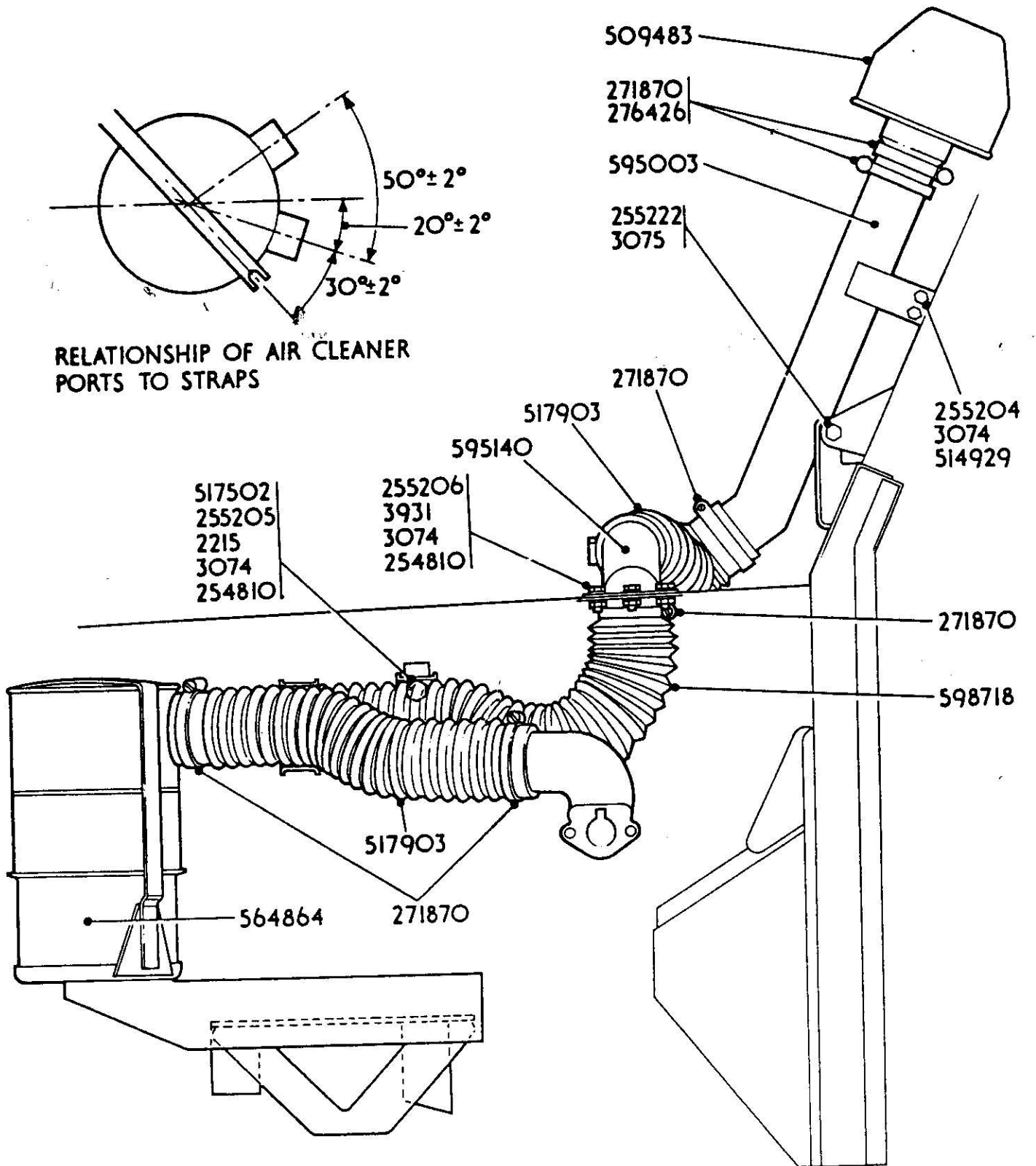


Fig.2. General arrangement of raised air intake -

2.6 litre models.

5. 2.6 litre models. Fit new air cleaner 564864.
6. Connect the original hose from the carburettor to the air cleaner.
7. Mark out the bonnet as illustrated (Fig.3) and cut one hole 68,0 mm (2.677 in) diameter, and drill three holes 8,0 mm (0.314 in) diameter.
8. Fit air intake pipe for bonnet 595140, to the bonnet, as illustrated, using bolts 255206 (3), plain washers 3931 (6), spring washer 3074 (3) and nut 254810 (3)
9. Refit the bonnet.

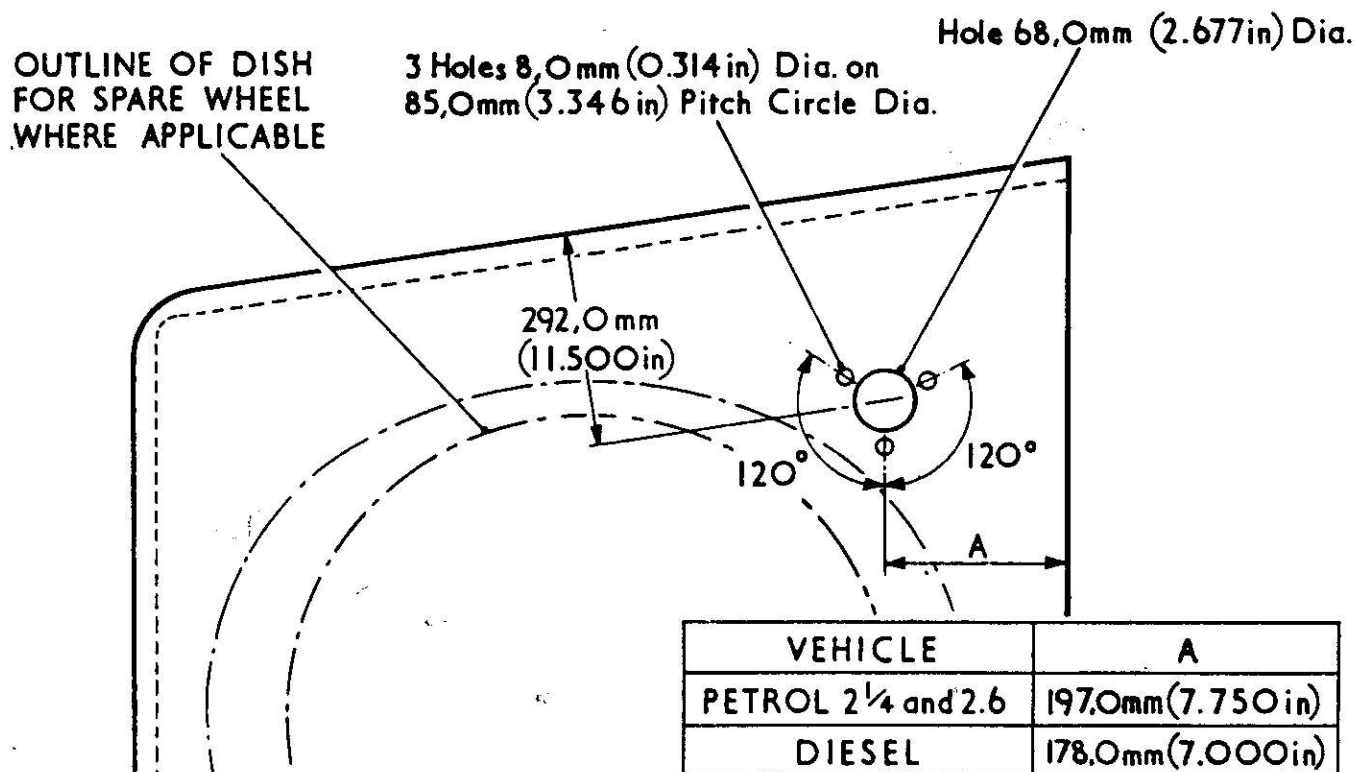
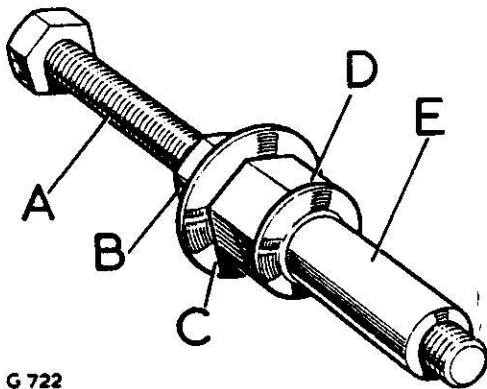


Fig.3. Drilling instruction for bonnet.

10. Loosely retain the air intake pipe 595003, to the windscreen pivot bracket, R.H. side, using bolt 255222 and spring washer 3075.
11. Maintain the air intake pipe parallel to the windscreen frame. Mark off and drill two 9,0 mm (0.359 in) diameter holes in the side of the windscreen frame, using the bracket on the air intake pipe as a template.
12. Fit the two rivnuts 514929, to the holes drilled in the windscreen frame as follows:

- a) Fit a nut and plain washer to a $\frac{1}{4}$ " UNF set bolt.
- b) Drill the thread clear of a $\frac{5}{16}$ " UNF nut, for use as a distance piece, and slide it onto the set bolt and screw on fully a rivnut 514929.
- c) Insert the rivnut into the drilled hole in the windscreen frame.
- d) Hold the set bolt and the $\frac{5}{16}$ " UNF distance nut stationary and turn the $\frac{1}{4}$ " UNF nut clockwise to expand the rivnut.
- e) Ensure that the rivnut is securely retained in the windscreen frame, then remove the set bolt, nut, plain washer and distance piece.
- f) Repeat the foregoing procedure for the remaining rivnut.



G 722

Fig.4. Fitting Rivnut.

- A - Set bolt $\frac{1}{4}$ " UNF
 - B - Nut $\frac{1}{4}$ " UNF to be rotated to expand Rivnut.
 - C - Plain washer
 - D - Cleared nut, used as a distance piece.
 - E - Rivnut $\frac{1}{4}$ " UNF.
13. Secure the air intake pipe bracket to the rivnuts in the windscreen frame, using screw 255204 (2) and spring washer 3074 (2).
 14. Tighten the lower fixing for the air intake pipe at the windscreen pivot bracket.

15. Fit the centrifugal air cleaner 509483 to the top of the air intake pipe, using seal 276426 and clips 271870 (2).
16. Fit hose 517903 between the air intake pipes on the windscreen and bonnet, using clips 271870 (2).
17. 2½ litre models. Fit air intake elbow 595005 to the air cleaner inlet port, using seal 276426 and clips 271870 (2), then fit collapsible hose 595007 between the air cleaner elbow and the air intake pipe on the bonnet, using clips 271870 (2).
18. 2.6 litre models. Locate clip 517502, over hose 598718 and fit the hose between the air cleaner inlet port and the air intake pipe on the bonnet, using clips 271870 (2) Drill a suitable hole in the right hand wing valance and secure clip 517502 in the position illustrated, using bolt 255205, plain washer 2215, spring washer 3074 and nut 254810.
19. Open and close the bonnet a number of times and check that the hoses extend and contract without interference.